

## Warewashing Small Single Skin Glasswasher, rinse aid pump, 40r/h

ITEM # \_\_\_\_\_

MODEL # \_\_\_\_\_

NAME # \_\_\_\_\_

SIS # \_\_\_\_\_

AIA # \_\_\_\_\_


**402187 (ETGWSIS)**

Undercounter Glasswasher (S), 400x400mm rack, electronic, single skin with pressure boiler, rinse aid pump, 40 r/h, 1 phase, Schuko plug

### Short Form Specification

**Item No.** \_\_\_\_\_

Undercounter glasswasher small, hot water sanitization type, suitable for up to 400\*400mm racks.

Single skin cabinet. Double skin insulated, counter-balance door. Pressed wash tank with round corners. 304 AISI stainless steel construction to include door, external panels, frame, wash tank.

Electronic control with temperature display, to allow on-site customization. Four cycles of 90, 120, 180 and 540 sec. to wash different types of soiled wares. Automatic self-cleaning and draining cycle on board.

Washing performance is ensure by a powerful wash pump, large capacity wash tank, upper rinse and lower wash&rinse spray arms.

Rinse temperature guaranteed by built-in pressure boiler.

The unit shall include wash tank filters in composite material, drain pump and rinse aid dispenser pump.

Electrical characteristics to be 220-240 volts single phase operation.

The unit is equipped with electrical cable and schuko plug.

### Main Features

- Maximum capacity of 40 racks per hour.
- Suitable to fit 400\*400 mm racks.
- Simple operation control panel with digital display, led info lights; and color-coded main button to launch the washing cycles.
- Featured with n°4 washing cycle, 90 / 120 / 180 / 540 seconds, selectable by the display and customizable on site by service; to wash different kind of crockery.
- Built-in pressure boiler designed to raise incoming water to a guaranteed minimum temperature of 82° C for sanitizing rinse. No external boiler is required.
- Washing system endowed with rotating washing arms, high powered wash pump and large capacity wash tank for professional washing.
- Built-in rinse aid dispenser with automatic chemical loading, for perfect result while minimizing service and maintenance needs.
- Equipped with electrical cable fitting schuko plug.
- Easy service access to all the main components from the front of the appliance, to fast on site operation.
- Wash tank with rounded corners, sloped towards the drain to prevent dirt build up provides fast drainage in only a few minutes and guaranteed water tight solution.

### Construction

- Structure, panels, cavity and door in stainless steel to long lasting.
- Insulated double skin counter-balanced door construction for silent and smooth operation. Counter-balance mechanism minimizes impact when opening and closing.
- Completely closed on the back by a cover plate.
- Upper and lower screwed washing & rinsing arms and tank filters in composite material; are easy removable from the cavity to easy operation.
- Unit to feature rinse aid dispenser peristaltic pump.

### Sustainability

- Clear water consumption of 2 liter/rack, the water of the rinsing phase is recirculated to enable washing.
- Low noise level of 61 db during operations.
- Eco stand-by energy management function, to reduce power usage on inactive period.

**APPROVAL:** \_\_\_\_\_

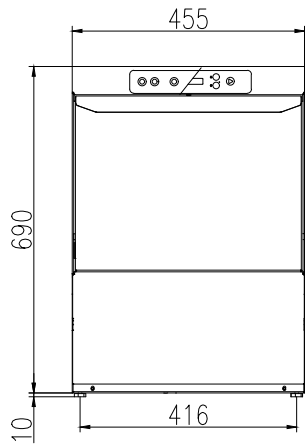
**Included Accessories**

- 1 of Square basket for glasses 400x400x150mm PNC 864470
- 1 of Insert for 12 saucers, 290X90x75mm PNC 867048
- 1 of Square cutlery container, 89x113x113mm PNC 867049

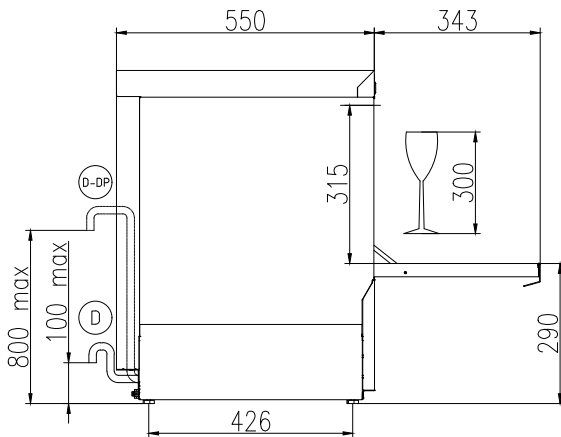
**Optional Accessories**

- Kit wash tank filters in composite material (1 central support and 2 filters) for single skin NeoBlue (S) Glasswasher PNC 864496
- Drain pump kit for single skin NeoBlue (S) Glasswasher PNC 864497
- Kit detergent dispenser for single skin NeoBlue (S) Glasswasher PNC 864498
- Square basket for glasses, 400x400x1100mm PNC 867039
- Inclination insert for glasses, 400x180mm PNC 867044
- Round basket for glasses, 400x180mm PNC 867047
- Inclination insert for glasses 400x400 mm PNC 867069

Front

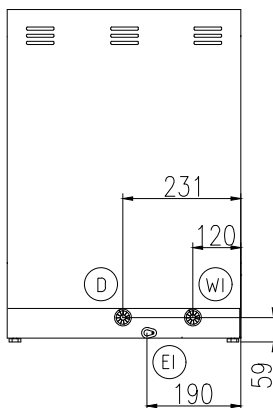


Side



- CWII = Cold Water inlet 1 (cleaning)  
 D = Drain  
 EI = Electrical inlet (power)  
 EO = Electrical Outlet  
 WI = Water inlet  
 XR = Rinse aid connection

Rear side



## Electric

<b>Supply voltage:</b>	
402187 (ETGWS1S)	220-240 V/1 ph/50 Hz
<b>Default Installed Power:</b>	2.7 kW
<b>Boiler heating elements:</b>	2.7 kW
<b>Tank heating elements:</b>	2.4 kW
<b>Wash pump size:</b>	0.2 kW

## Water:

<b>Pressure, bar min/max:</b>	2-5 bar
<b>Water supply temperature*:</b>	10-50 °C
<b>Drain line size:</b>	29mm
<b>Washing tank capacity (lt):</b>	12
<b>Water consumption per cycle (lt):</b>	0 / 2
<b>Boiler Capacity (lt):</b>	3
<b>Incoming water line size:</b>	3/4"

## Key Information:

<b>Wash temperature:</b>	60°C
<b>Cell dimensions - width:</b>	405 mm
<b>Cell dimensions - depth:</b>	437 mm
<b>Cell dimensions - height:</b>	315 mm
<b>Rinse temperature:</b>	85 °C
<b>External dimensions, Width:</b>	455 mm
<b>External dimensions, Depth:</b>	550 mm
<b>External dimensions, Height:</b>	700 mm
<b>Net weight:</b>	36.5 kg
<b>Shipping weight:</b>	41 kg
<b>Shipping height:</b>	850 mm
<b>Shipping width:</b>	540 mm
<b>Shipping depth:</b>	630 mm
<b>Shipping volume:</b>	0.29 m <sup>3</sup>
<b>Baskets per hour*:</b>	40 / 30 / 20 / 6
<b>Working cycles time (sec.):</b>	90 / 120 / 180 / 108
<b>Dishes per hour:</b>	720 / 540 / 360 / 540

## Sustainability

<b>Noise level:</b>	61 dBA
---------------------	--------